

Moisture Datalogger Use Manual



1. Safety Tips

Before operating this instrument, please read the following instructions and specifications of the data logger:

Maintenance and cleaning

1. Repairs or maintenance should be carried out by professionals, not only by the instruction manual.
2. Wipe the cabinet with cloth regularly. Do not use solvents and detergents to clean the data logger.

Safety Symbols

In accordance with European CE safety standards

2. Function

1. Alarm setup and indication
2. Recording indication
3. Manual Start / Automatic Start Mode
4. Environmental Temperature, Humidity measurement

3. Specification

Wood Humidity

Range: 5.0 % to 100.0%

Resolution: 0.1 %

Accuracy: ±1.5% (Moisture Range 6 to 40%)

Humidity

Range: 0 to 100 RH%

Resolution: 0.1 %RH

Accuracy: ±3.5%RH (20 to 80 %RH)
±5%RH (0 to 20 / 80 to 100 %RH)

Environment Temperature

Range: -40 to 70°C / -40 to 158°F

Resolution: 0.1°C/°F

Accuracy: ±2°C (-40 to 0°C / -40 to 32°F)
±1°C (0 to 40°C / 32 to 104°F)
±2°C (40 to 70°C / 104 to 158°F)

Memory: 50000 readings (including timber humidity and environmental temperature/ humidity)

Sampling Rate: 1minute-12h

USB Interface

The Record Indicate: Green LED (fast flash once every ten seconds)

The Full Memory Indicate: Green LED (quick flash twice every 20 seconds)

Analysis Software: Win2000/XP/Vista/Win7/8/10

Power Supply: 3.6V battery (14250,1 / 2AAA)

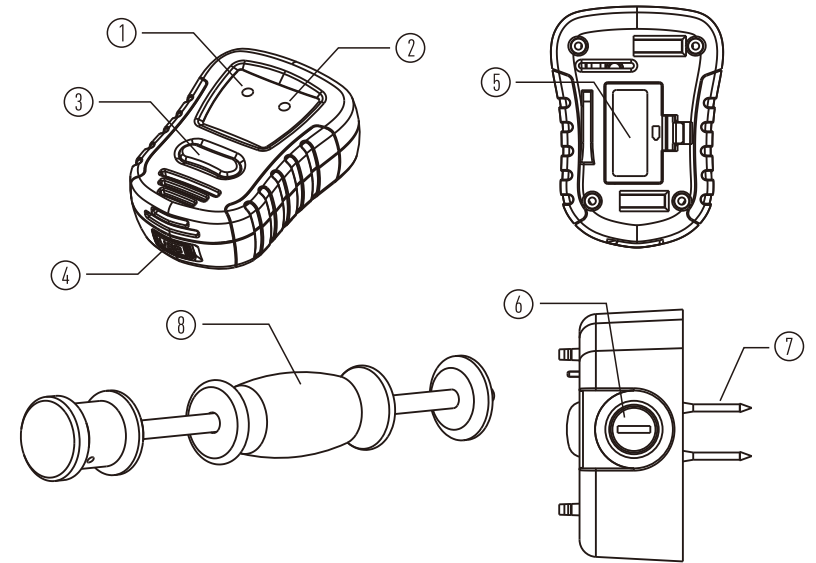
4. Panel Described

Datalogger

- 1.Green LED
- 2.Red LED
- 3.Start / Stop Button
- 4.USB Interface
- 5.Battery Cover

Base

- 6.Keyhole
- 7.Measuring Prods
- 8.Hammer



5.LED indication instruction

LED

No LED flash
Description
1.Not start record
2.Stop record
3.Run out of battery



Description

- 1.Green LED flash one time: Record indication (flash interval: can be setup via the PC software)
- 2.Green LED flash 2 times: The memory is full (flash interval:20s)
- 3.Green LED flash rapidly 6 times in 3s: Power Up

- 1.Red LED flash one time: Wood humidity low alarm (flash interval: same with sampling rate)
- 2.Red LED flash 2 times: Wood humidity high alarm (flash interval: same with sampling rate)

- 1.Green LED and Red LED flash one time simultaneously: Low battery indication, the battery is below 2.9V(flash interval:18s)
- 2.Green LED and Red LED flash simultaneously: Manual stop record

Start record

Operate

Replace new battery

Press the button "START/STOP" for 3s to start/stop record.

The memory is full, can connect to PC and download data

Replace the battery

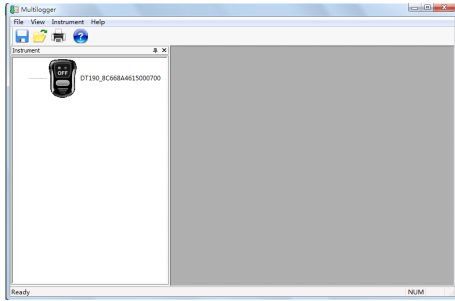
Connect the PC to download data.



Note: If the data logger is power-down during record process, the data will be all saved and downloaded.

6. Software instructions

6-1. Install the software on your computer: Multilogger

6-2 Use the USB cable to link the data logger to the computer and open the software installed in step 1, as shown below screen will appear



6-2-1. Double click the icon  "as shown above, then the icon will show "ON" instead of "OFF" 

6-2-2. Data logger setup

6-2-2-a: Select the menu Instrument-Datalogger Setting, then the setup window will pop up.

6-2-2-b: Time Setting: The time is the real-time and will be synchronized to the data logger.

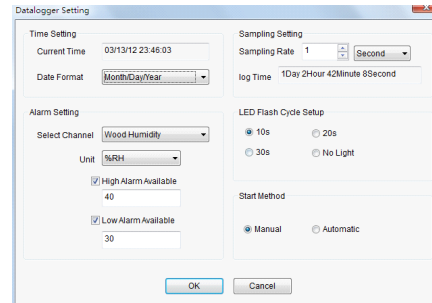
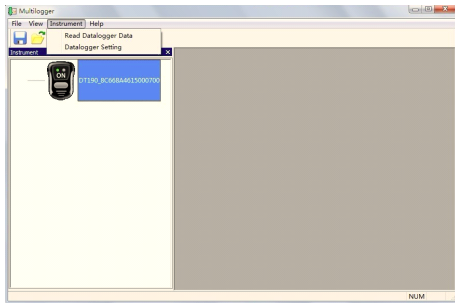
"Date Format": The time format can be set up.

6-2-2-c: Alarm Setting: The humidity high/low alarm and alarm permission setup.

6-2-2-d: Sampling Setting: range from 1s to 12h.

6-2-2-e: LED Flash Cycle Setup: LED flash interval.

6-2-2-f: Start Method: Automatic or Manual.



6-2-3. Data Download

6-2-3-a: Select the menu "Instrument-Read Data logger Data" to download data.

6-2-3-b: The list including "Data Graph", "Data List", "Data Summary"



Note: For Software detail instruction, please turn to software user manual.

Please read this manual before switching the unit on.
Important safety information inside.

