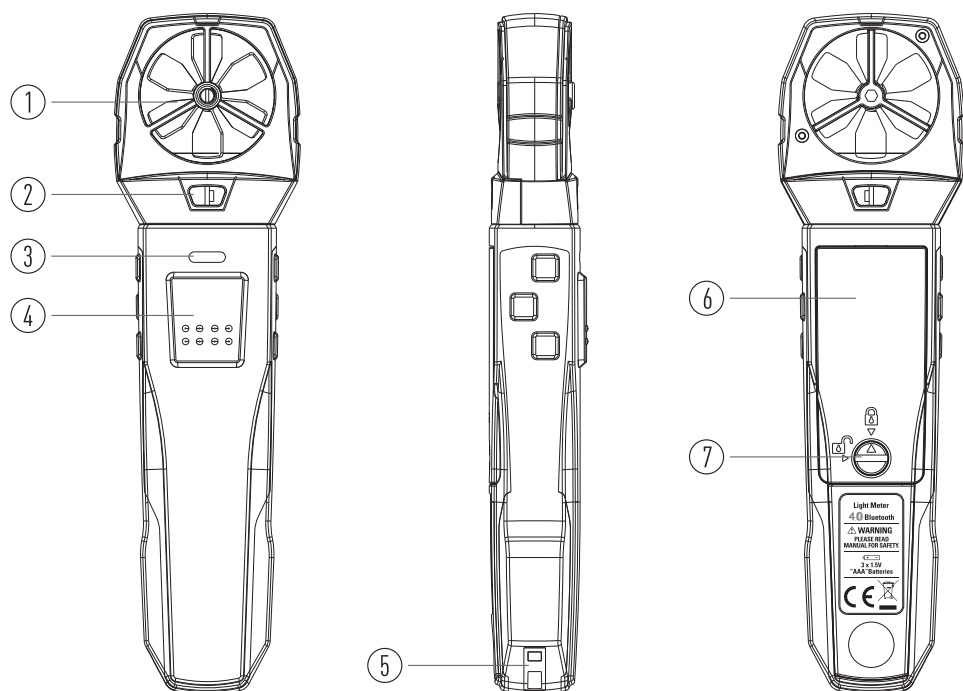


# Operating Instruction for Wireless Vane Anemometer

## 1.Description

- 1-Wind Sensor Fan
- 2-Temperature & Humidity Sensor
- 3-LED Indicator
- 4-Key
- 5-Sling here
- 6-3 x 1.5V AAA Battery
- 7-Switch Battery Cover



## 2.Operation

- Short press button instrument boot, Waiting for connection state, LED flashing yellow lights.
- Connected to the smart phone APP, LED flashing green light.
- Long press the key instrument to turn it off.
- Smartphone APP "Meterbox Probes" for IOS and Android.

## 3.Application

- The wind speed measurement range reached 30m/s
- Measure the wind speed and humidity/temperature of the ventilation ducts
- Air flow CFM/CMM function

## 4.Features

- Through Meterbox Probes APP, multi-point simultaneous detection is achieved, and the measurement values of multiple parameters are obtained.
- Micro digital temperature and humidity sensor with high precision and high reaction speed.
- The temperature and humidity change of the time period is displayed through the APP record curve and table.
- Generate measurement reports via APP.

## 5.Measurement

Type	Temperature	Humidity	Velocity
Range	-20 to 60°C	0 to 100%RH	0.6 to 30m/s
Accuracy	±0.8°C at (-20~0°C) ±0.5°C at (0~60°C)	±3.5%RH at 20~80%RH ±5%RH at 0~20%RH & 80~100%RH	±(0.2m/s+3.5%) (0.6 to 25m/s)
Resolution	0.1°C	0.1%RH	0.1m/s

## 6.Specification

Compatibility	Support for Bluetooth 4.0 terminal devices.
Storage Temperature	-20 to 60°C
Operating Temperature	-20 to 50°C
Battery Type	3 x "AAA" batteries
Battery Life	65h
Size (HxWxD)	158mm x 43mm x 23mm
Weight	180g

1



2